

Kawasaki 21 hp

Kawasaki 23 hp

Kawasaki 25 hp

Spare parts

Ersatzteile

Pièces détachées

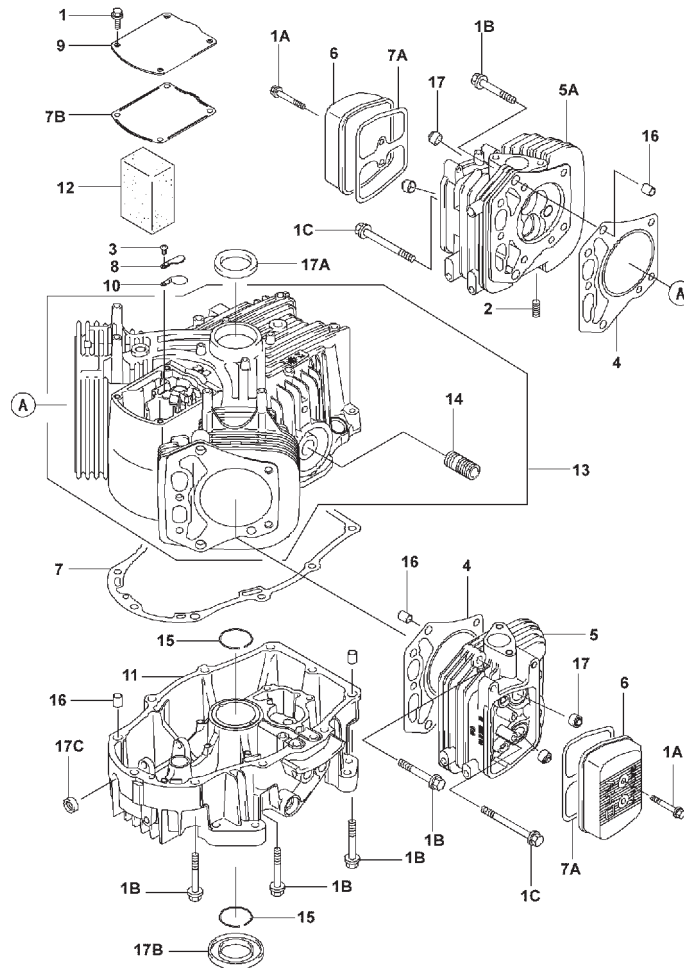
Reserve onderdelen

Repuestos

Reservdelar

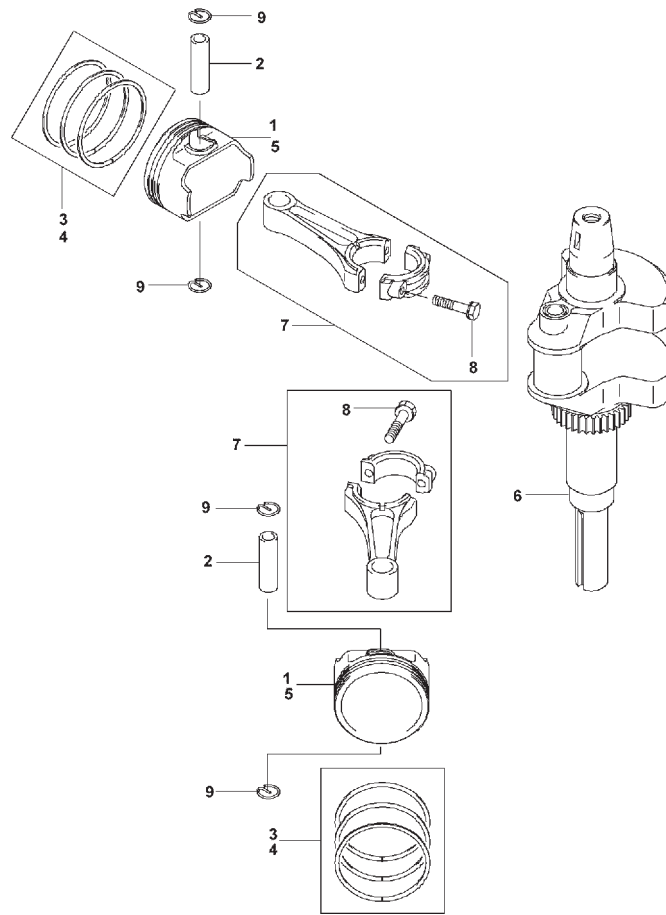
E0110-A327F
E0110-A347A

E0110-A327F



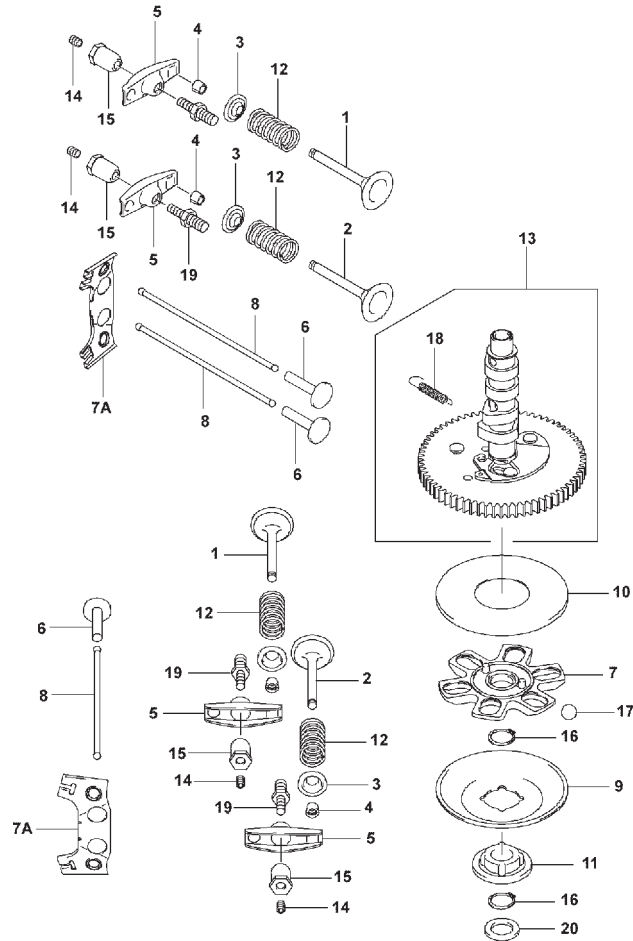
Ref.No	PartNo.	PartName	Qty
1	725 22 66-91	BOLT-FLANGED	4
1A	535 41 42-67	BOLT-FLANGED	4
1B	535 41 42-70	BOLT-FLANGED	18
1C	535 41 42-71	BOLT-FLANGED	2
2	535 41 45-07	BOLT-STUD	4
3	535 41 43-49	SCREW-PAN+-	1
4	535 41 42-02	GASKET-HEAD	2
5	535 41 42-05	HEAD-COMP-CYLINDER,#2	1
5A	535 41 42-06	HEAD-COMP-CYLINDER,#1	1
6	535 41 42-15	CASE-ROCKER	2
7	535 41 42-29	GASKET,CRANKCASE COVER	1
7A	535 41 42-30	GASKET,ROCKER CASE	2
7B	535 41 42-31	GASKET,BREATHER	1
8	535 41 42-85	PLATE	1
9	535 41 42-95	COVER	1
10	535 41 43-21	VALVE	1
11	535 41 43-74	COVER-CRANKCASE	1
12	535 41 43-91	ELEMENT-BREATHER	1
13	535 41 43-98	CRANKCASE-COMP	1
13	535 41 45-18	CRANKCASE-COMP	1
13	535 41 45-38	CRANKCASE-COMP	1
14	535 41 44-14	JOINT	1
15	535 41 44-42	RING-SNAP	2
16	535 41 44-46	PIN	6
17	535 41 44-49	SEAL-OIL	4
17A	535 41 44-50	SEAL-OIL	1
17B	535 41 44-51	SEAL-OIL	1
17C	535 41 44-52	SEAL-OIL	1

21hp
23hp
25hp



Ref.No	PartNo.	PartName	Qty
1	535 41 42-49	PISTON-ENGINE	2
2	535 41 42-51	PIN-PISTON	2
3	535 41 42-53	RING-SET-PISTON	2
4	535 41 42-55	RING-SET-PISTON L,0.50	AR
5	535 41 42-56	PISTON-ENGINE L,0.50	AR
6	535 41 42-59	CRANKSHAFT-COMP	1
6	535 41 45-19	CRANKSHAFT-COMP	1
7	535 41 42-80	ROD-ASSY-CONNECTING	2
7	535 41 45-20	ROD-ASSY-CONNECTING	2
8	535 41 44-21	BOLT	4
9	535 41 44-43	RING-SNAP	4

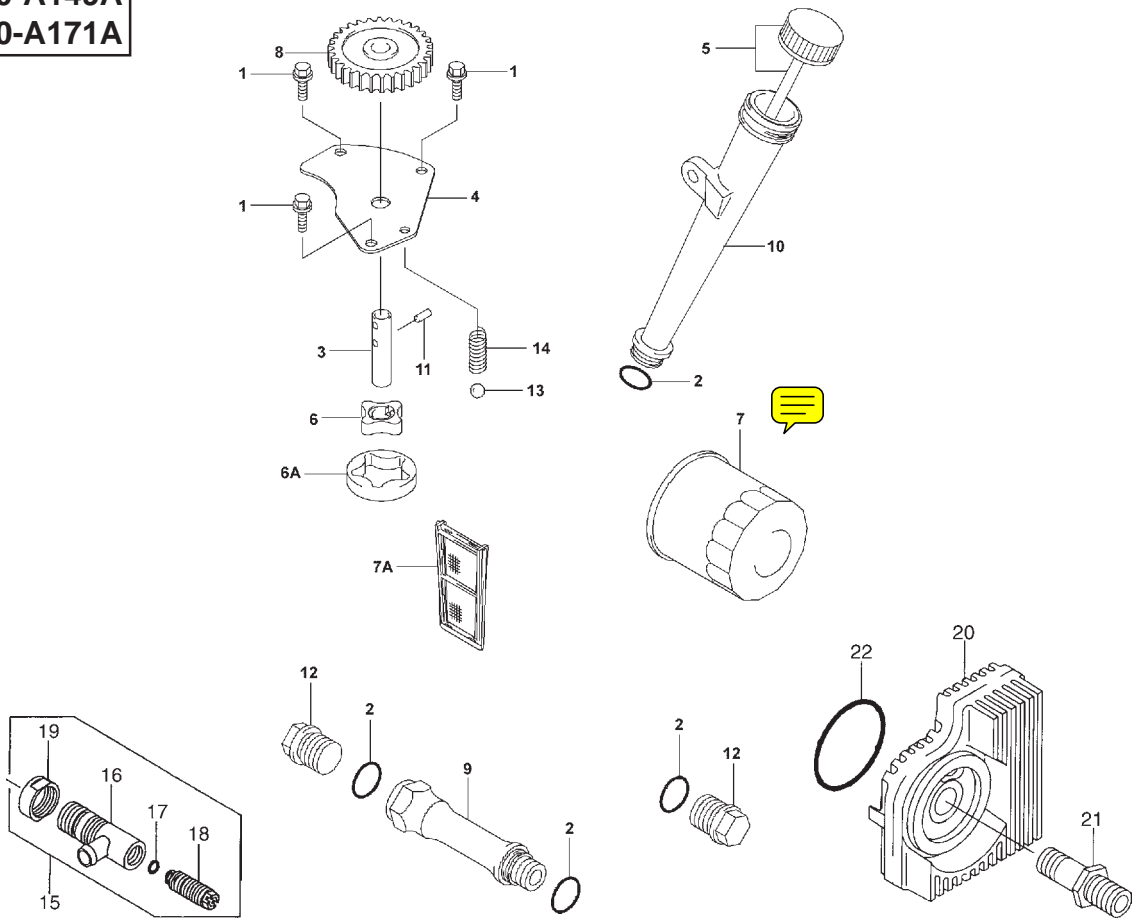
21hp
 23hp/25hp
 21hp/25HP
 23hp



Ref.No	PartNo.	PartName	Qty
1	535 41 42-40	VALVE-INTAKE	2
2	535 41 42-42	VALVE-EXHAUST	2
3	535 41 42-44	RETAINER-VALVE SPRING	4
4	535 41 42-45	COLLET	8
5	535 41 42-47	ARM-ROCKER	4
6	535 41 42-48	TAPPET	4
7	535 41 42-61	GUIDE	1
7A	535 41 42-62	GUIDE	2
8	535 41 42-77	ROD-PUSH	4
9	535 41 42-82	PLATE	1
10	535 41 42-86	PLATE	1
11	535 41 43-69	SLEEVE	1
12	535 41 43-82	SPRING-ENGINE VALVE	4
13	535 41 43-96	CAMSHAFT-COMP	1
14	535 41 44-24	SCREW	4
15	531 00 11-81	NUT	4
16	535 41 44-40	RING-SNAP	2
17	535 41 44-70	BALL	6
18	535 41 44-73	SPRING	1
19	535 41 44-84	BOLT	4
20	535 41 45-03	WASHER	1

E0140-A133A
E0140-A149A
E0140-A171A

E0140-A133A



Ref. No.	Part No.	Part Name	Qty
1	725 23 66-61	BOLT-FLANGED	3
2	531 00 11-90	O RING	4
3	535 41 42-73	SHAFT	1
4	535 41 42-84	PLATE	1
5	535 41 42-93	CAP-ASSY	1
6	535 41 43-25	ROTOR-PUMP,IN	1
6A	535 41 43-26	ROTOR-PUMP,OUT	1
7	535 41 43-78	FILTER-OIL	1
7A	535 41 43-79	FILTER-OIL	1
8	535 41 44-11	GEAR-SPUR	1
9	535 41 44-16	JOINT	1
10	535 41 44-20	FILLER	1
11	535 41 44-47	PIN	1
12	535 41 44-60	PLUG	2
13	535 41 44-71	BALL	1
14	535 41 44-74	SPRING	1
15	535 41 45-22	VALVE-ASSY	1
16	535 41 45-23	JOINT	1
17	535 41 45-24	RING-O,6MM	1
18	535 41 45-25	PLUG	1
19	535 41 45-42	NUT	1
20	535 41 45-39	COOLER-OIL	1
21	535 41 45-40	JOINT	1
22	535 41 45-41	RING-O	1

23hp/25hp

23hp/25hp

23hp/25hp

23hp/25hp

23hp/25hp

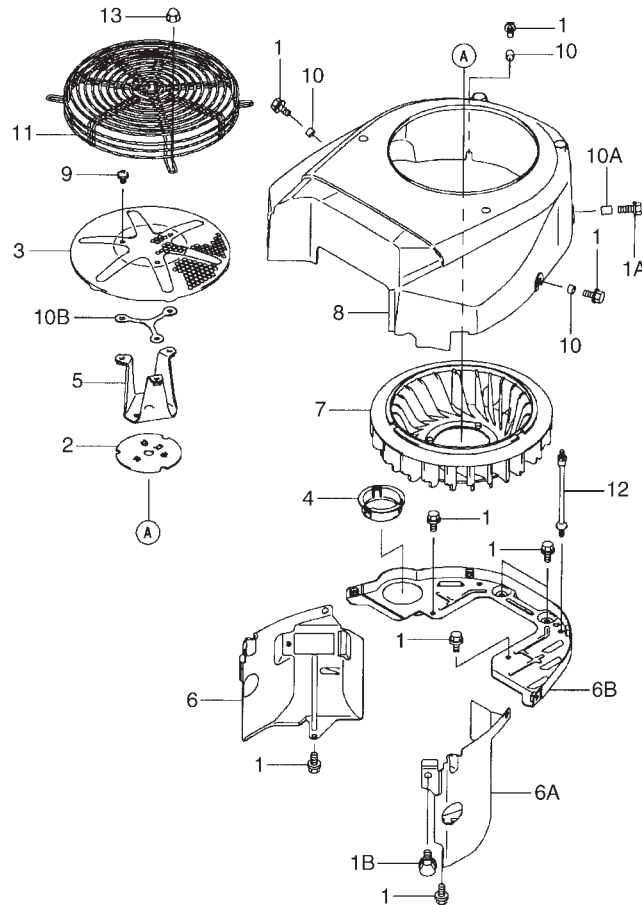
25hp

25hp

25hp

E0150-A378A
E0150-A333A

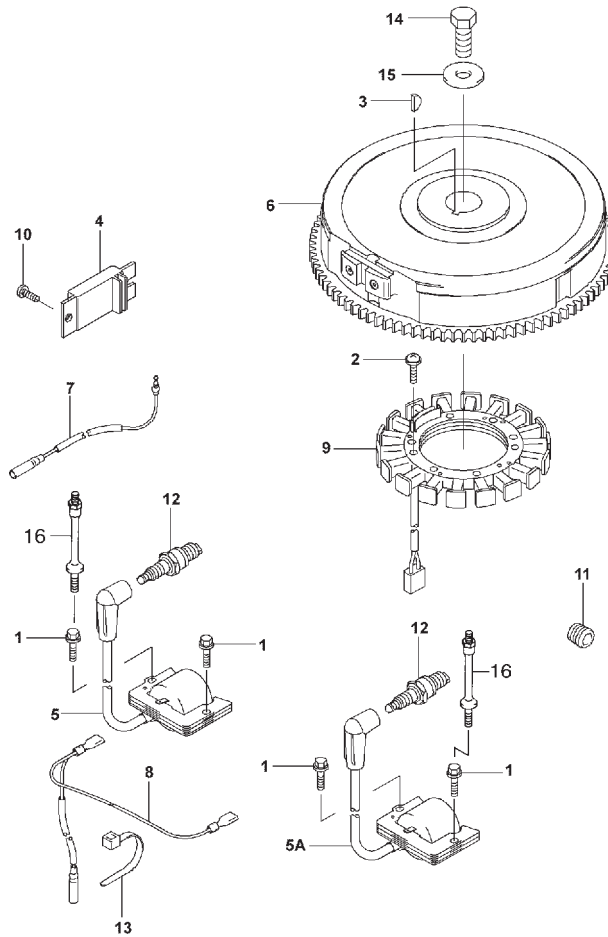
E0150-A333A



Ref.No	PartNo.	PartName	Qty	
1	535 41 42-64	BOLT-FLANGED	9	
1A	535 41 42-68	BOLT-FLANGED	1	
1B	535 41 42-68	BOLT-FLANGED	1	
2	535 41 42-62	PLATE	1	
3	535 41 42-90	SCREEN	1	
4	535 41 42-94	COVER	1	
5	535 41 43-53	BRACKET-COMP	1	
6	535 41 43-86	SHROUD-ENGINE	1	
6A	535 41 43-87	SHROUD-ENGINE	1	
6B	535 41 43-88	SHROUD-ENGINE	1	
7	535 41 44-10	FAN	1	
8	535 41 44-13	HOUSING-FAN	1	21hp
8	535 41 45-29	HOUSING-FAN	1	23hp/25hp
9	535 41 44-31	SCREW,6X10	3	
10	535 41 44-35	SPACER,6.2X7.9X5	3	
10A	535 41 44-36	SPACER,6.5X7.9X10.5	1	
10B	535 41 44-38	SPACER	AR	
11	535 41 45-28	GUARD	1	23hp/25hp
12	535 41 45-30	STUD	2	23hp/25hp
13	531 00 11-94	NUT	4	23hp/25hp

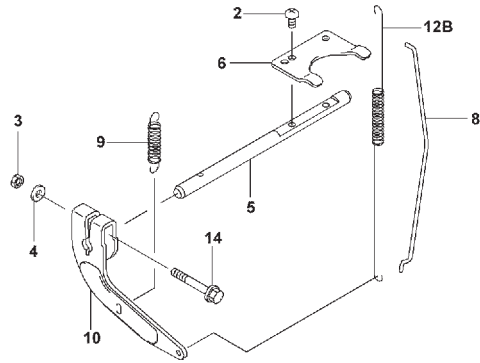
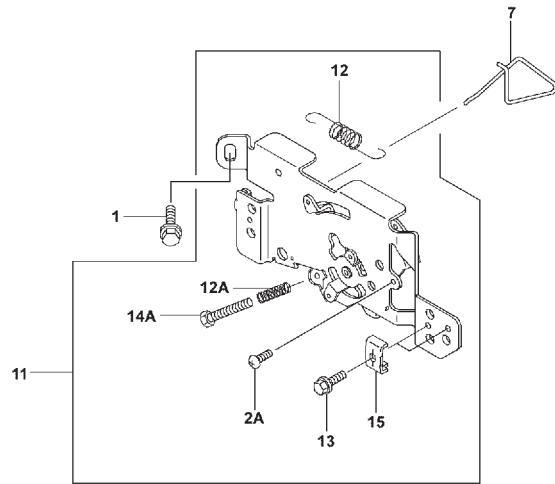
E0160-A728A
 E0160-A612D
 E0160-A612C

E0160-A728A



Ref.No	PartNo.	PartName	Qty
1	535 41 42-64	BOLT-FLANGED	4
2	535 41 43-51	SCREW-PAN-WP-CROS	4
3	535 41 44-02	KEY-WOODRUFF	1
4	535 41 43-40	REGULATOR-VOLTAGE	1
5	535 41 43-43	COIL-ASSY-IGNITION	1
5A	535 41 43-44	COIL-ASSY-IGNITION	1
6	535 41 43-47	FLYWHEEL-ASSY	1
7	535 41 43-58	WIRE-LEAD,L=540	1
8	535 41 43-60	HARNESS	1
9	535 41 44-08	COIL-CHARGING	1
10	531 00 12-78	SCREW	1
11	535 41 44-59	PLUG	1
12	535 41 44-64	PLUG-SPARK,BPR4ES(NGK),	2
13	535 41 44-65	BAND	2
14	535 41 44-83	BOLT,12X30	1
15	535 41 45-04	WASHER	1
16	535 41 45-31	STUD	2

23hp/25hp

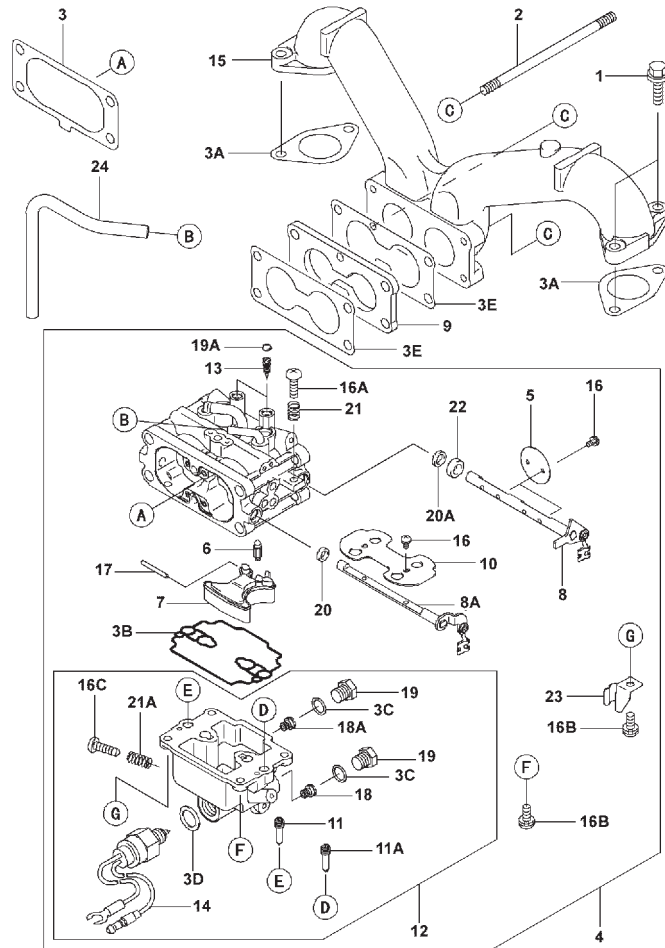


Ref.No	PartNo.	PartName	Qty
1	725 23 66-61	BOLT-FLANGED	2
2	535 41 43-49	SCREW-PAN+	2
2A	723 22 91-81	SCREW-PAN+	1
3	535 41 43-62	NUT-HEX	1
3	535 41 45-32	NUT-HEX	1
4	535 41 43-68	WASHER-PLAIN	1
5	535 41 42-75	SHAFT	1
6	535 41 42-89	PLATE	1
7	535 41 43-30	LINK-CHOKE	1
8	535 41 43-32	LINK	1
9	535 41 43-66	SPRING-GOVERNOR	1
10	535 41 43-89	ARM-GOVERNOR	1
11	535 41 43-92	PANEL-COMP-CONTROL	1
12	535 41 44-77	SPRING	1
12A	535 41 44-78	SPRING	1
12B	535 41 44-79	SPRING	1
13	535 41 44-82	BOLT,5X18	2
14	535 41 44-85	BOLT,6X30	1
14A	535 41 44-87	BOLT,5X30	1
15	535 41 44-90	CLAMP	2

21hp
23hp/25hp

**E0180-A441A
E0180-A450A**

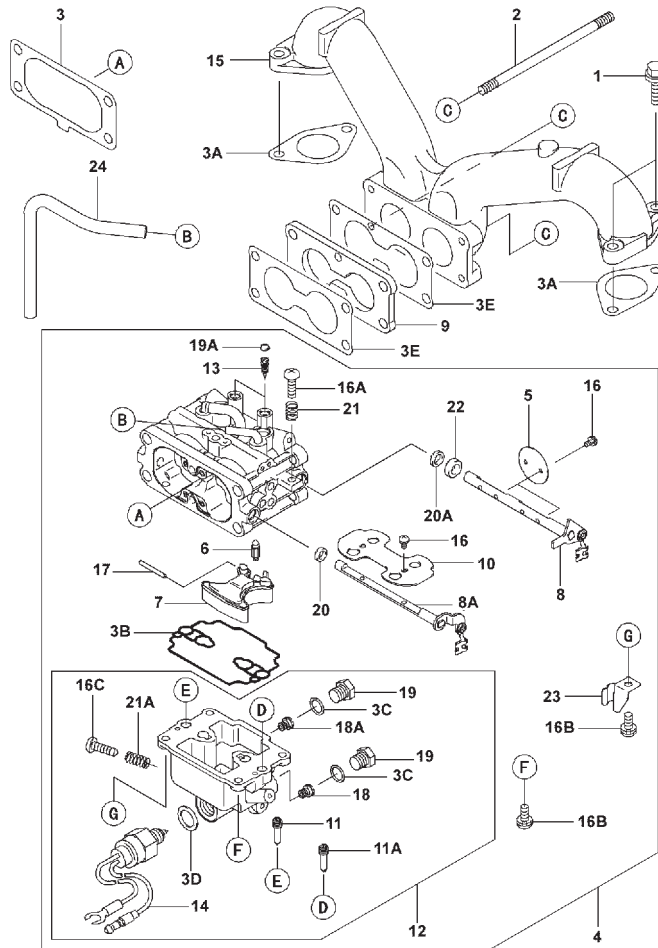
E0180-A441A



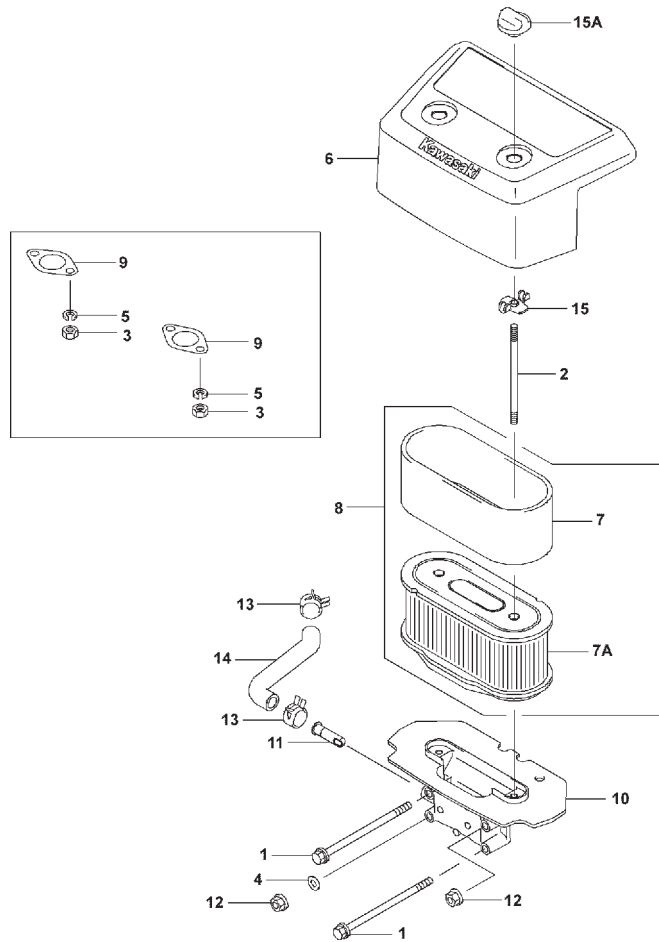
Ref.No	PartNo.	PartName	Qty	
1	535 41 42-64	BOLT-FLANGED	4	
2	535 41 43-35	BOLT-STUD	2	
3	535 41 42-27	GASKET,AIR FILTER	1	
3A	535 41 42-28	GASKET	2	
3B	535 41 42-33	GASKET,FLOAT CHAMBER	1	
3C	535 41 42-34	GASKET,MAIN PLUG	2	
3D	535 41 42-35	GASKET,SOLENOID	1	
3E	535 41 42-37	GASKET,CARBURETOR	2	
4	535 41 42-98	CARBURETOR-ASSY	1	21hp
4	535 41 45-33	CARBURETOR-ASSY	1	23hp
4	535 41 45-43	CARBURETOR-ASSY	1	25hp
5	535 41 43-06	VALVE-THROTTLE	2	
6	535 41 43-07	VALVE-FLOAT	1	
7	535 41 43-08	FLOAT	1	
8	535 41 43-14	SHAFT-CARBURETOR	1	21hp
8	535 41 45-34	SHAFT-CARBURETOR	1	23hp
8	535 41 45-44	SHAFT-CARBURETOR	1	25hp
8A	535 41 43-17	SHAFT-CARBURETOR,CHOKE	1	
9	535 41 43-20	INSULATOR	1	
10	535 41 43-22	VALVE,CHOKE	1	
11	535 41 43-27	JET-SLOW	1	
11A	535 41 43-28	JET-SLOW	1	
12	535 41 43-33	CHAMBER-ASSY-FLOAT	1	
13	535 41 43-34	NEEDLE-JET	2	
14	535 41 43-46	SOLENOID	1	
15	535 41 44-17	MANIFOLD-INTAKE	1	
16	535 41 44-27	SCREW	6	
16A	535 41 44-28	SCREW	1	
16B	535 41 44-29	SCREW	4	
Correction: 15	535 41 44-18	MANIFOLD-INTAKE	1	

E0180-A441A
E0180-A450A

E0180-A441A

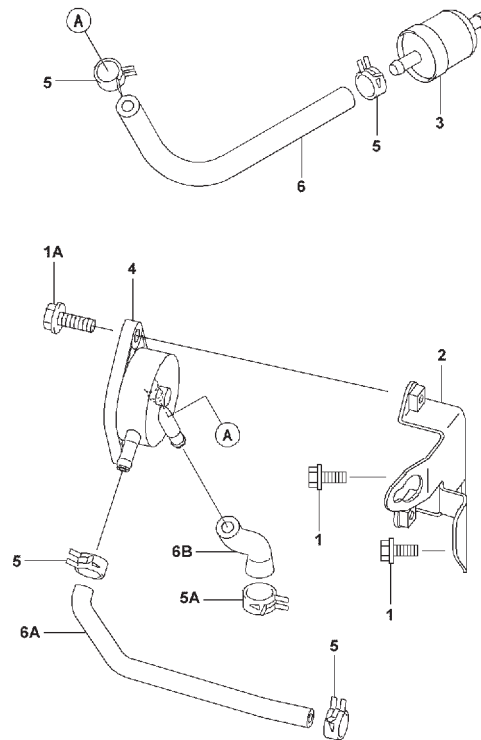


Ref.No	PartNo.	PartName	Qty
16C	535 41 44-30	SCREW,DRAIN	1
17	535 41 44-48	PIN,FLOAT	1
18	535 41 44-55	JET-MAIN	1
18A	535 41 44-56	JET-MAIN	1
19	535 41 44-61	PLUG,MAIN JET	2
19A	535 41 44-62	PLUG,EXPANSION	2
20	535 41 44-68	SEAL,D=5.9	1
20A	535 41 44-69	SEAL,D=6.9	1
21	535 41 44-80	SPRING	1
21A	535 41 44-81	SPRING	1
22	535 41 44-88	COLLAR	1
23	535 41 44-92	CLAMP	1
24	535 41 45-01	TUBE,4.76X7.94X160	1



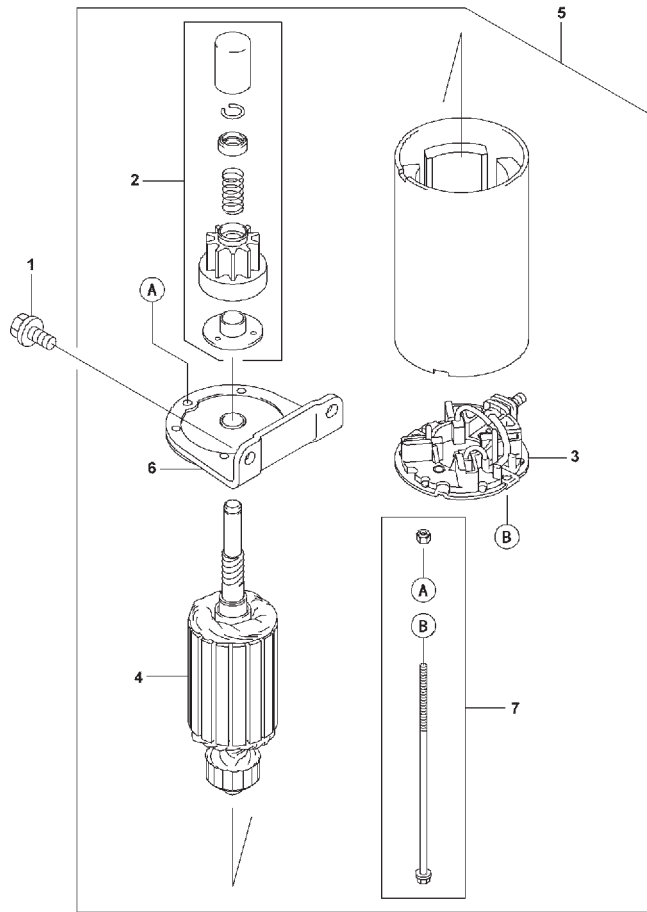
Ref.No	PartNo.	PartName	Qty
1	535 41 42-63	BOLT-FLANGED	2
2	535 41 43-37	BOLT-STUD	2
3	535 41 43-63	NUT-HEX-SMALL	4
4	535 41 43-68	WASHER-PLAIN	1
5	535 41 43-72	WASHER-SPRING	4
6	535 41 42-10	CASE-AIR FILTER	1
7	535 41 42-13	ELEMENT-AIR FILTER	1
7A	535 41 42-14	ELEMENT-AIR FILTER	1
8	535 41 42-17	ELEMENT-ASSY-AIR FILTER	1
9	535 41 42-32	GASKET,MUFFLER	2
10	535 41 43-18	PIPE-INTAKE	1
11	535 41 43-70	SLEEVE	1
12	535 41 44-32	NUT	2
12	535 41 45-36	NUT	2
13	535 41 44-44	CLAMP	2
14	535 41 44-98	TUBE	1
15	535 41 45-05	NUT	2
15A	535 41 45-06	NUT	2

21hp
23hp/25hp



Ref.No	PartNo.	PartName	Qty
1	725 23 68-61	BOLT-FLANGED	2
1A	535 41 42-64	BOLT-FLANGED	2
2	535 41 43-52	BRACKET-COMP	1
3	535 41 43-76	FILTER-FUEL	1
4	535 41 43-77	PUMP-FUEL	1
4	535 41 45-45	PUMP-FUEL	1
5	535 41 44-89	CLAMP	4
5A	535 41 44-91	CLAMP	1
6	535 41 44-95	TUBE,6.35X12.7X160	1
6A	535 41 44-97	TUBE	1
6B	535 41 44-99	TUBE	1

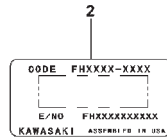
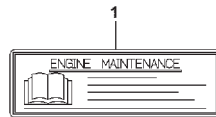
21hp/23hp
25hp



Ref. No.	Part No.	Part Name	Qty
1	535 41 42-68	BOLT-FLANGED	2
2	535 41 42-72	GEAR-ASSY	1
3	535 41 43-38	BRUSH	1
4	535 41 43-41	ARMATURE	1
5	535 41 43-42	STARTER-ELECTRIC	1
6	535 41 43-67	BRACKET-ASSY	1
7	535 41 43-86	BOLT	1

F0290-A836A
 F0290-A693A
 F0290-A840A

F0290-A836A



Ref. No.	Part No.	Part Name	Qty
1	535 41 44-03	LABEL-MANUAL	1
2	535 41 44-04	LABEL-PRODUCT	1
3	535 41 44-06	LABEL-BRAND	1 21hp
3	535 41 45-37	LABEL-BRAND	1 23hp
3	535 41 45-46	LABEL-BRAND	1 25hp